

1

2

3

4

RevNo	Revision note	Date	Signature	Checked
-------	---------------	------	-----------	---------

A

A

B

B

C

C

D

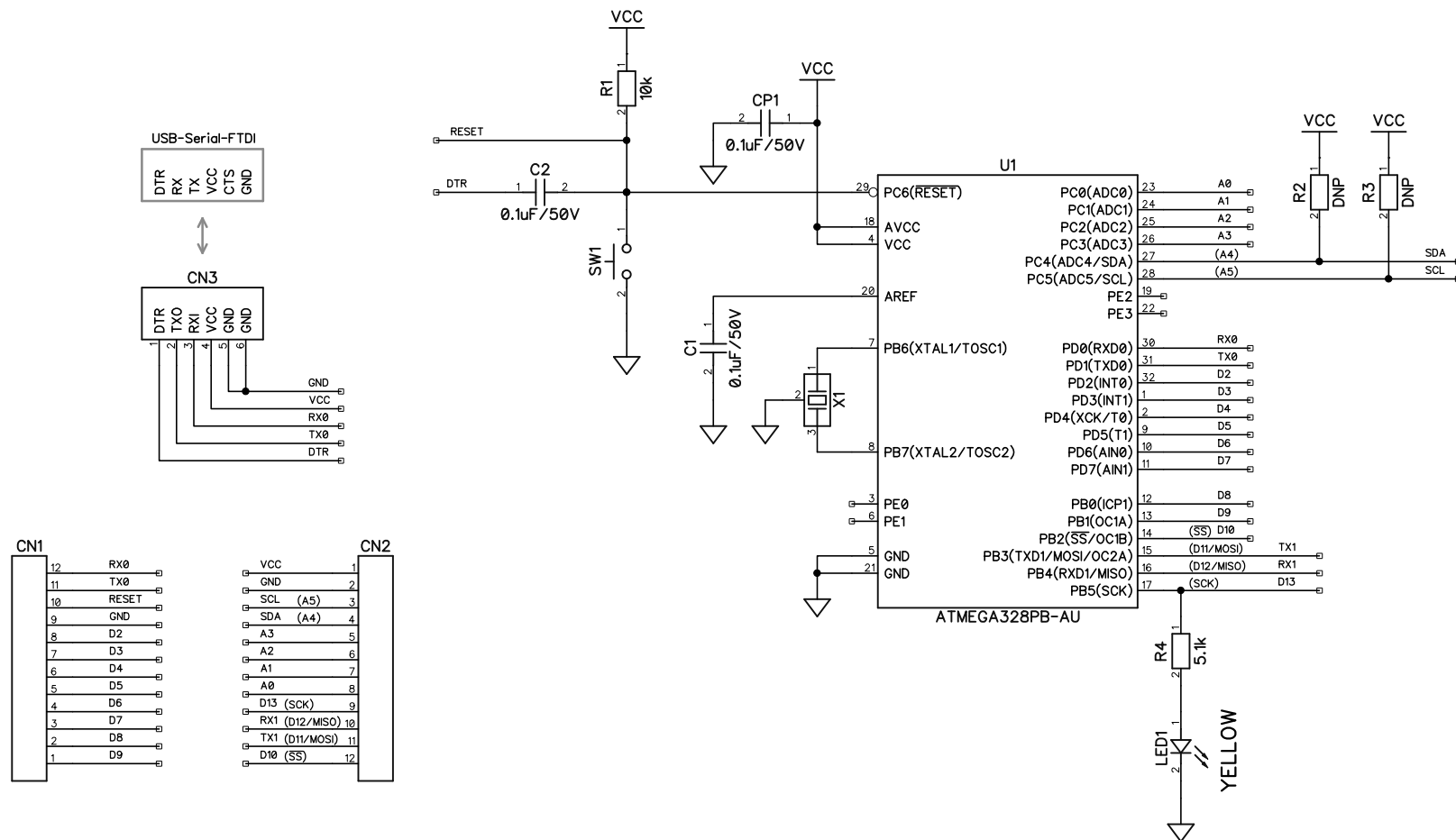
D

E

E

F

F



Itemref	Quantity	Title/Name, designation, material, dimension etc	Article No./Reference		
Designed by K.Yoshikawa	Checked by	Approved by - date	File name	Date 19/10/18	Scale 1:1
CYROLA INC.			Rhino Mini 328PB		
			ST-4-1906	Edition MP2	Sheet 1/1

1

2

3

4