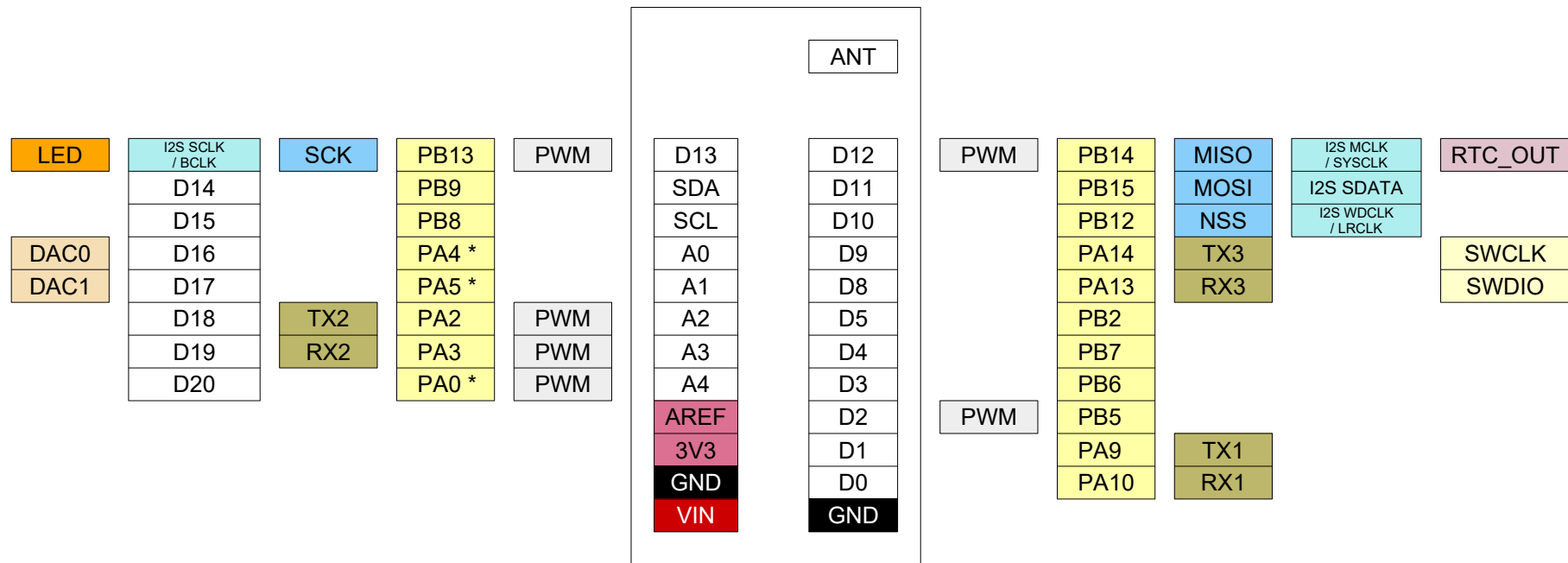


### Rhino WAN Pinout



\* Not 5V tolerant

Rhino-WAN-L082CZ  
CR20-0611 Rev.B

Cyrola Inc.  
2020/8/24